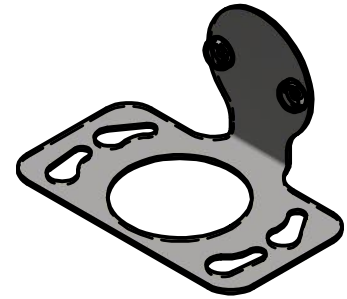
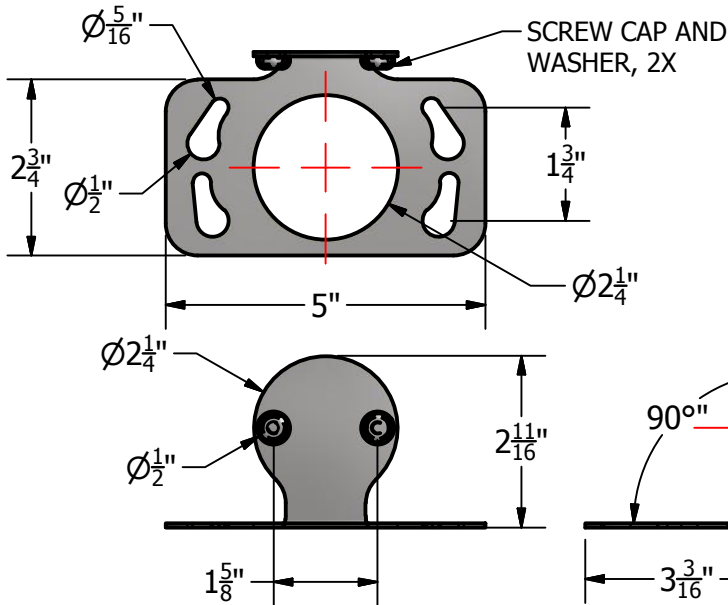




# Technical Data Sheet

S-3020-XX

TUMBLER TOOTH BRUSH HOLDER



FINISH CODE -XX  
 - SS = SATIN STAINLESS STEEL  
 - PC = POWDER COATED ( SPECIFY COLOR)

DATA CURRENT AS OF: 1/18/2013

## CONSTRUCTION:

TUMBLER TOOTH BRUSH HOLDER: 16 GAUGE TYPE 304 STAINLESS STEEL, FORMED ONE PIECE.  
 SCREW: #8 WOOD X 1 1/2" LONG PHIL. PAN HEAD. 18-8 STAINLESS STEEL.  
 SCREW CAP: ELECTROPLATED SATIN CHROME SNAP-CAP.  
 WASHER: FLAT BOTTOM PLASTIC SNAP-CAP.

## INSTALLATION:

FASTEN TO WALL USING THE SUPPLIED SCREWS THROUGH THE SNAP-WASHER AND APPROPRIATE WALL ANCHORS (NOT SUPPLIED).  
 PRESS ON THE SNAP-CAPS ONTO THE WASHER/SCREW UNTIL THEY SNAP INTO PLACE.

NOTE: TUMBLER IS ONLY AS STRONG AS THE ANCHORING DEVICES AND THE WALL ON WHICH IT IS MOUNTED TO.

## GUIDE SPECIFICATION:

FORMED ONE PIECE TUMBLER TOOTH BRUSH HOLDER.  
 16 GAUGE TYPE 304 STAINLESS STEEL.  
 FINISHES AS INDICATED.

Brey-Krause Mfg. reserves the right to make changes in design and/or material without formal notice and without incurring any obligation.

**BREY-KRAUSE  
 MANUFACTURING**  
 © 2012

BREY-KRAUSE MANUFACTURING  
 1209 W. Lehigh Street, Bethlehem, PA 18018  
 Phone: 610-867-1401 Fax: 610-866-1433  
 www.brey-krause.com