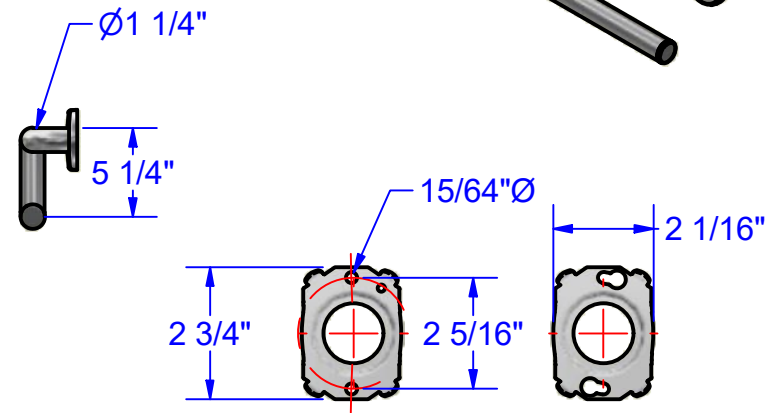
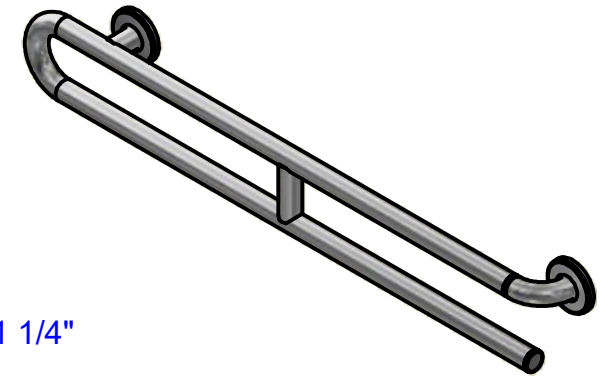
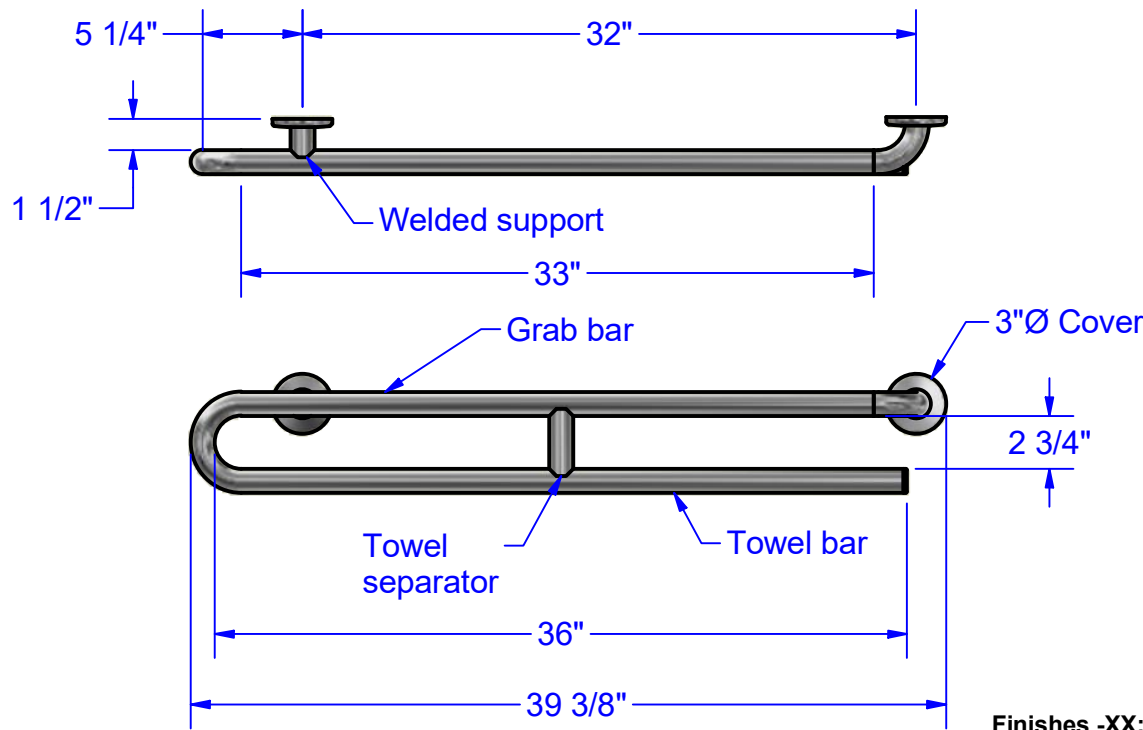




Technical Data Sheet

D-7702-36-XX

1 1/4" Ø x 33" Grab bar with integrated 36" towel bar



End and support flange detail

Peened and knurled grips will be applied to the straight section on the grab bar only.

Finishes -XX:

- SS Satin Stainless
- SS-P Satin Stainless with peened safety grip
- SS-K Satin Stainless with knurled safety grip
- PC Powder coated. (specify color)

Construction:

Tubing: 1 1/4" Ø x 18 gauge stainless steel. Mandrel bent tube ends pass through flanges, tig welded to form a single structure unit.

Flanges: 14 gauge stainless steel with (2) 15/64" Ø holes for attaching to wall.

Covers: 22 gauge stainless steel, 3" Ø x 7/16" deep. Each cover snaps over flange to conceal mounting screws.

Towel separator tee: 1 1/4" Ø x .049 wall stainless steel welded to tube.

Guide Specification:

ADA compliant.

Stainless steel 1 1/4" Ø grab bar with integrated towel bar. Concealed mounting flanges and snap on covers in finish as indicated.

Brey-Krause grab bar has been load tested to over 500 lbs. This exceeds the ADA requirement of 250 lbs.

1 1/2" wall clearance.

Installation:

Secure grab bar to wall where adequate in-wall backing exists. Position bar horizontally so that the gripping surface on grab bar is 33" to 36" above finished floor.

Use each grab bar as a template to locate mounting holes. Drill holes and set anchors. Mount grab bar to wall and secure mounting screws. Snap covers over flanges.

Consult local and national accessibility codes for proper installation guidelines.

Conformity and compliance to local and national codes is the responsibility of the installer.