



**BREY-KRAUSE MANUFACTURING**  
 1209 W. LEHIGH ST., BETHLEHEM, PA 18018  
 PHONE: 610-867-1401 FAX: 610-866-1433  
 www.breykrause.com  
 Brey-Krause Mfg. reserves the right to make changes in design and/or materials without formal notice and without incurring obligation.

# TECHNICAL DATA SHEET

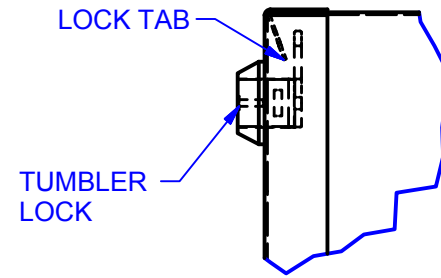
## C-1041-XX

MULTI-ROLL HORIZONTAL SURFACE MOUNT  
 TOILET TISSUE DISPENSER

DRAWN BY: dmartin	DATE: 10/24/2014	<b>B</b>
TOLERANCES (UNLESS OTHERWISE SPECIFIED)		
FRACTIONAL : ± 1/8"	X.XX : ± 0.010	
∠ : ± 1°	X.XXX : ± 0.005	
	X.XXXX : ± 0.0002	

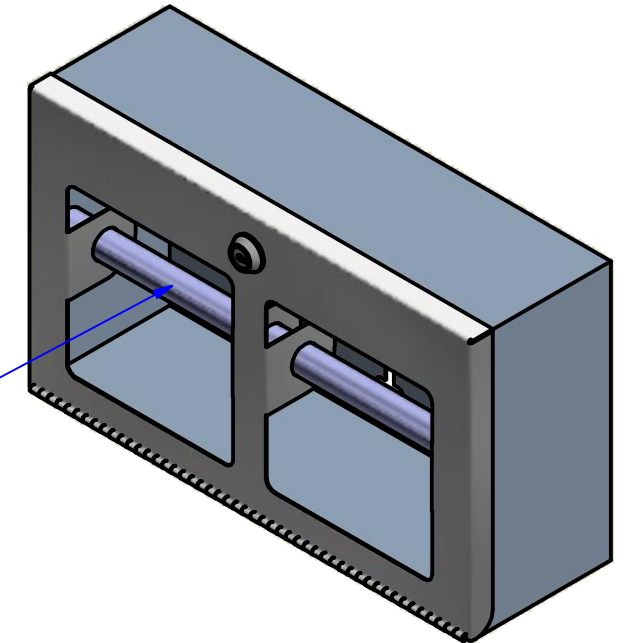
FILE: C-1041-SS TECH DATA

**FINISHES: -XX**  
 -SS = SATIN STAINLESS  
 -PC = POWDER COATED (SPECIFY COLOR)

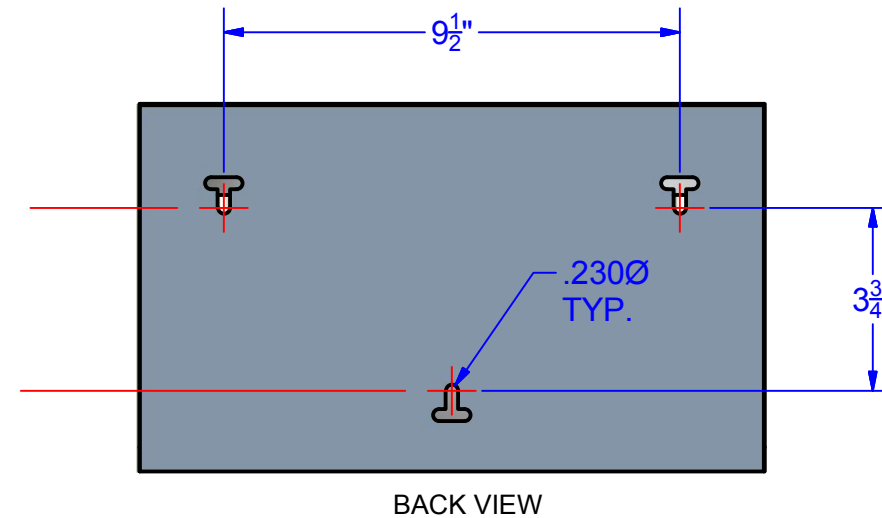
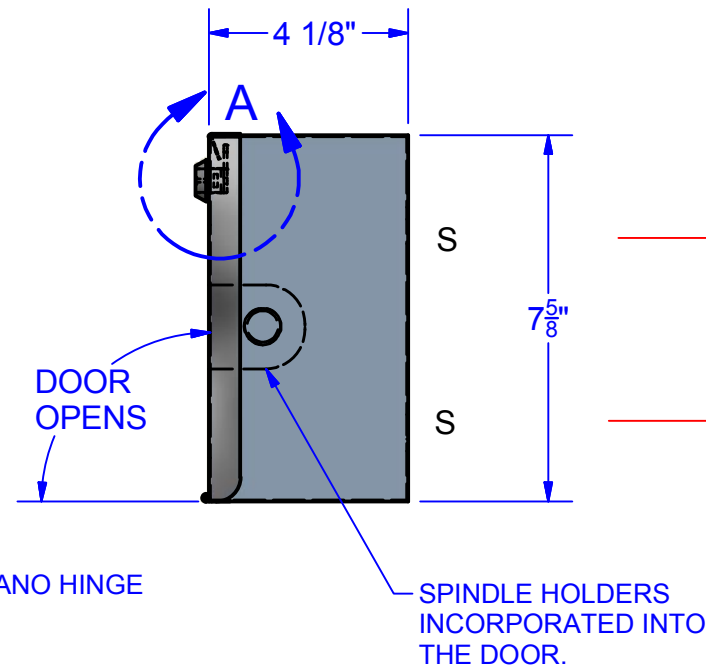
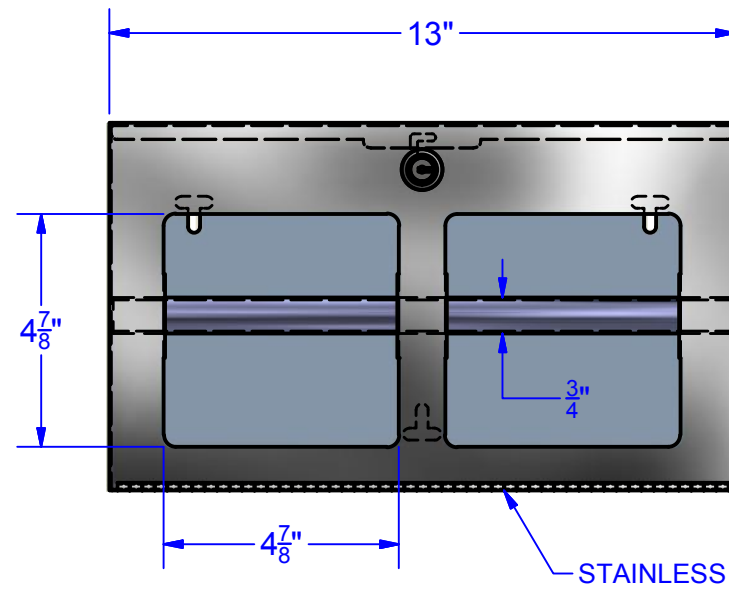


DETAIL A

TOILET TISSUE  
 SPINDLE 3/4" Ø  
 S.S. TUBE



SERVICE ONLY WHEN  
 DOOR IS UNLOCKED AND OPENED



**CONSTRUCTION:**

CABINET: 22 GAUGE TYPE 304 STAINLESS STEEL, ONE PIECE CONSTRUCTION.  
 DOOR: 22 GAUGE TYPE 304 STAINLESS STEEL. FASTEN TO CABINET WITH PIANO HINGE. EQUIPPED WITH TUMBLER LOCK AND KEY.  
 SPINDLE: 3/4" Ø X .035 WALL STAINLESS STEEL TUBE. RETAINED IN DOOR WHEN CLOSED AND LOCKED.

**GUIDE SPECIFICATION:**

TYPE 304 STAINLESS STEEL.  
 HORIZONTAL SURFACE MOUNTING.  
 UNIT HOLDS (2) STANDARD TOILET TISSUE ROLLS UP TO 5 1/4" Ø.  
 TISSUE ROLLS ARE LOADED AND SECURE INSIDE DOOR.  
 FINISHES ARE AS LISTED. POWDER COATED COLORS ARE AVAILABLE-SPECIFY COLOR.

**INSTALLATION:**

UNLOCK DOOR AND REMOVE SPINDLE.  
 USE UNIT AS TEMPLATE TO LOCATE HOLES (3).  
 DRILL HOLES AND FASTEN TO WALL USING (3) T-SLOTTED HOLES. (FOR #10 SCREWS, NOT PROVIDED).  
 T-SLOTS ALLOW FOR ADJUSTMENT.  
 LOAD SPINDLE WITH STANDARD TISSUE ROLLS (2). INSERT BACK INTO DOOR SPINDLE HOLDERS.  
 CLOSE AND LOCK DOOR.