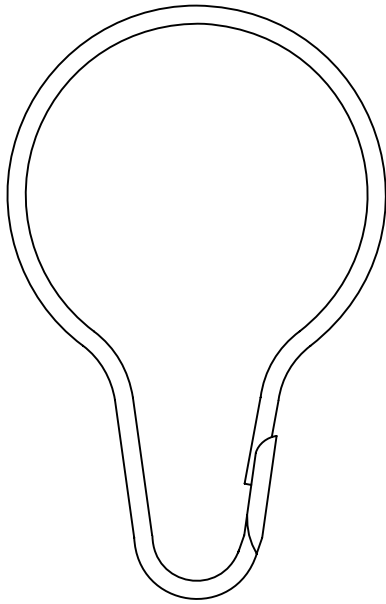


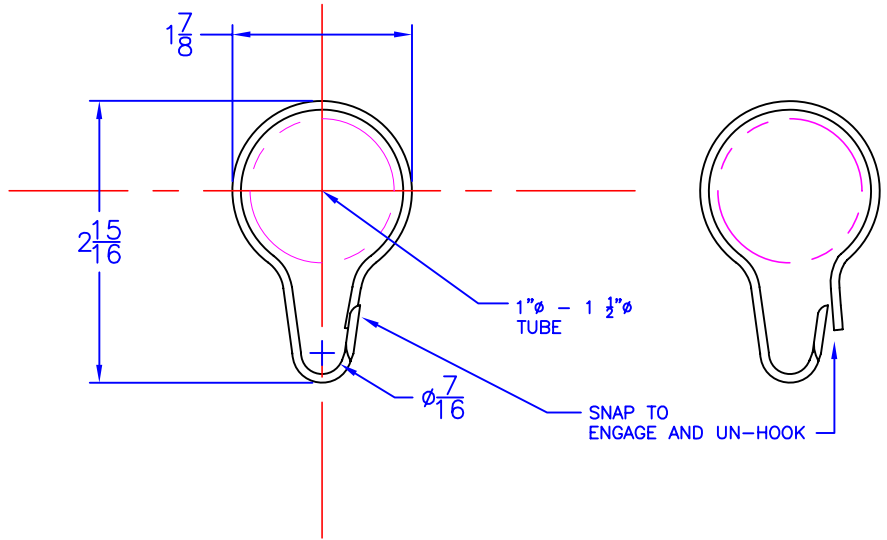


# Technical Data U-5311-BS

## SHOWER CURTAIN SNAP HOOK



TO SCALE.



### Construction:

FORMED ONE PIECE TYPE 304 STAINLESS STEEL X .090-.093 WIRE DIAMETER,  
BRIGHT STAINLESS FINISH.  
SLIDES OVER SHOWER ROD DIAMETERS 1" - 1 1/2".

### Operation:

TO BE USED ON SHOWER ROD WITH CURTAIN.

### Installation:

UN-HOOK TO INSTALL ON SHOWER ROD.  
INSERT THROUGH CURTAIN HOLE OR GROMMET AND RE-HOOK.

### Guide Specification:

FORMED ONE PIECE TYPE 304 STAINLESS STEEL X .093 WIRE DIAMETER,  
BRIGHT STAINLESS FINISH.  
SLIDES OVER SHOWER ROD DIAMETERS 1" - 1 1/2".