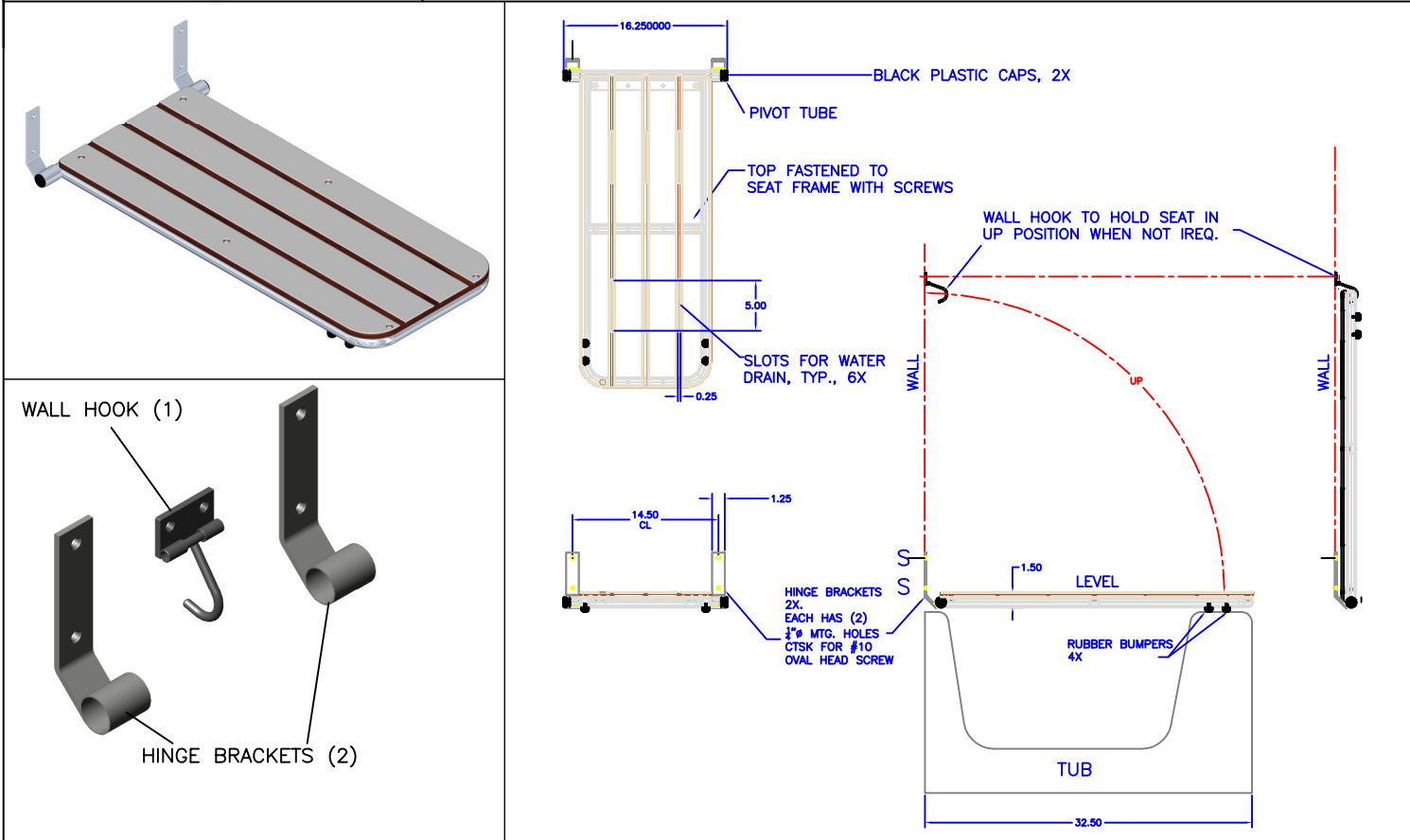




Technical Data

S-6277-SS

FOLDING TUB SEAT WITH IVORY 1 PC. PHENOLIC TOP



Construction:

FRAME: 1" X .049W TYPE 304 STAINLESS STEEL TUBE. MANDREL BENT AND FULLY WELDED TO PIVOT TUBE

HINGE BRACKETS: 7 GAUGE TYPE 304 STAINLESS STEEL WITH (2) 1/4" MTG. HOLES CTSK. FOR #10 OVAL HEAD SCREW.

WALL HOOK: 7 GAUGE TYPE 304 STAINLESS STEEL WITH (2) 1/4" MTG. HOLES CTSK. FOR #10 OVAL HEAD SCREW. 1/4"Ø ROD SWIVEL HOOK ATTACHED WITH SLEEVES, WELDED TO PLATE.

PHENOLIC TOP: 1/2" THICK, 1 PIECE, FASTEN TO FRAME WITH SCREWS

RUBBER BUMPERS: (4) BLACK RUBBER BUMPERS FASTEN TO FRAME TO PROTECT TUB SURFACE.

Operation:

- POSITION SEAT ACROSS TUB FOR USE
- FOLD IN UPRIGHT POSITION AND ENGAGE HOOK ONTO FRAME TUBE TO HOLD UPRIGHT
- UNHOOK TO LOWER SEAT AND REPEAT FIRST STEP

Installation:

SLIDE THE HINGE BRACKETS ONTO THE SEAT FRAME PIVOT TUBE.

PLACE THE SEAT ON THE TUB. LEVEL THE SEAT AND MOUNT THE HINGE BRACKETS TO THE WALL

LIFT SEAT INTO VERTICAL POSITION.

POSITION WALL HOOK SO THAT IT IS IN THE PROPER POSITION TO HOLD THE TOP OF THE SEAT. FASTEN TO WALL

CAUTION: SEAT IS ONLY AS STRONG AS THE ANCHORING DEVICES AND THE WALL ON WHICH IT IS MOUNTED TO.

Guide Specification:

1/2" THICK IVORY 1 PC. PHENOLIC TOP FOLDING TUB SEAT

32 1/2" LENGTH X 13" WIDTH

TYPE 304 STAINLESS STEEL WELDED FRAME CONSTRUCTION

WALL HOOK ASSEMBLY TO HOLD SEAT WHEN NOT REQ.

The manufacturer reserves the right to make changes in design and material without formal notice and without incurring obligation

© Copyright 2005
Brey-Krause Manufacturing

Brey-Krause Manufacturing
1209 West Lehigh Street, Bethlehem, PA 18018
Phone: 610.867.1401 Fax: 610.866.1433
www.breykrause.com