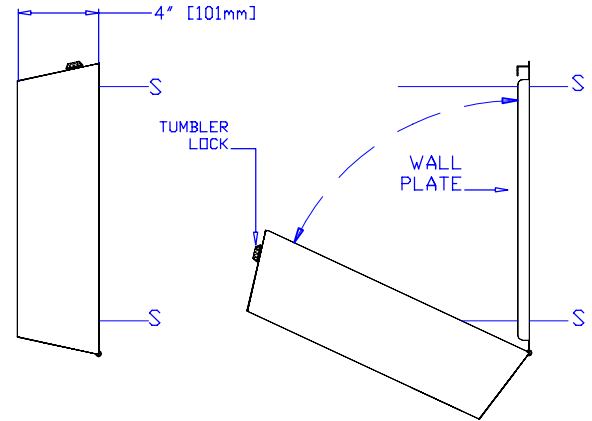
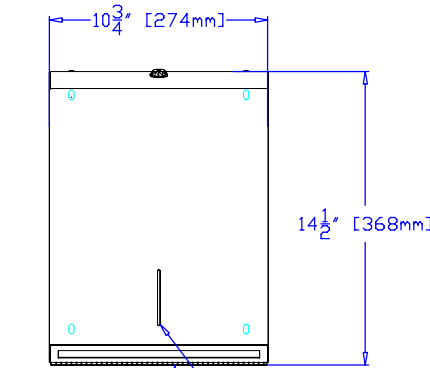
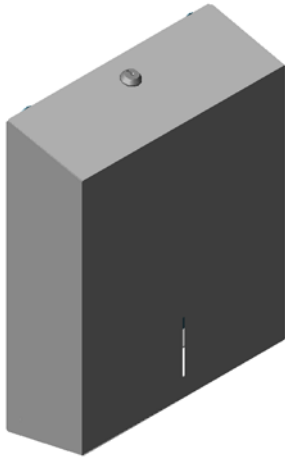




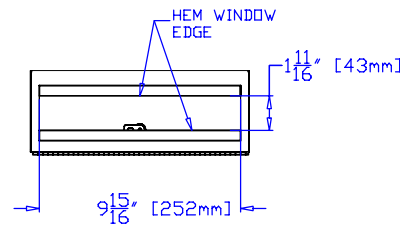
Technical Data

C-1030-XX

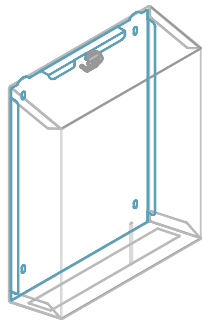
C-FOLD PAPER TOWEL DISPENSER, SURFACE MOUNT



S.S. CONTINUOUS HINGE REFILL VIEWER SLOT



FINISHES:
 -SS = SATIN STAINLESS
 -PC = POWDER COATED (SPECIFY COLOR)



Construction:

UNIT FABRICATED FROM 22 GAUGE TYPE 304 STAINLESS STEEL.
 STAINLESS STEEL CONTINUOUS PIANO HINGE AT BOTTOM OF CABINET ALLOWS EASY FILLING.
 REFILL VIEWER SLOT ON FRONT OF CABINET.
 DISPENSER WINDOW HAS HEM EDGES.
 CABINET EQUIPPED WITH TUMBLER LOCK AND KEYS.
 WALL PLATE ATTACHED TO CABINET HAS (4) SLOTTED HOLES FOR MOUNTING #10 SCREWS (NOT INCLUDED).

Capacity:

500 MULTI-FOLD OR 400 C-FOLD PAPER TOWELS

Installation:

USE WALL PLATE AS TEMPLATE TO LOCATE AND MARK HOLES.
 DRILL HOLES AND FASTEN TO WALL.
 FILL CABINET.
 LOCK CABINET TO WALL PLATE.

Guide Specification:

SURFACE MOUNTED PAPER TOWEL DISPENSER FABRICATED FROM 22 GAUGE TYPE 304 STAINLESS STEEL.
 REFILL SLOT INDICATOR ON FACE OF CABINET.
 TUMBLER LOCK TO SECURE CABINET.
 500 MULTI-ROLL OR 400 C-FOLD PAPER TOWEL CAPACITY.
 FINISHES AS INDICATED ABOVE.
 OVER ALL DIM. 10 3/4" WIDE X 14 1/2" HEIGHT X 4" DEPTH.

The manufacturer reserves the right to make changes in design and material without formal notice and without incurring obligation

© Copyright 2005
 Brey-Krause Manufacturing

Brey-Krause Manufacturing
 1209 West Lehigh Street, Bethlehem, PA 18018
 Phone: 610.867.1401 Fax: 610.866.1433
 www.breykrause.com