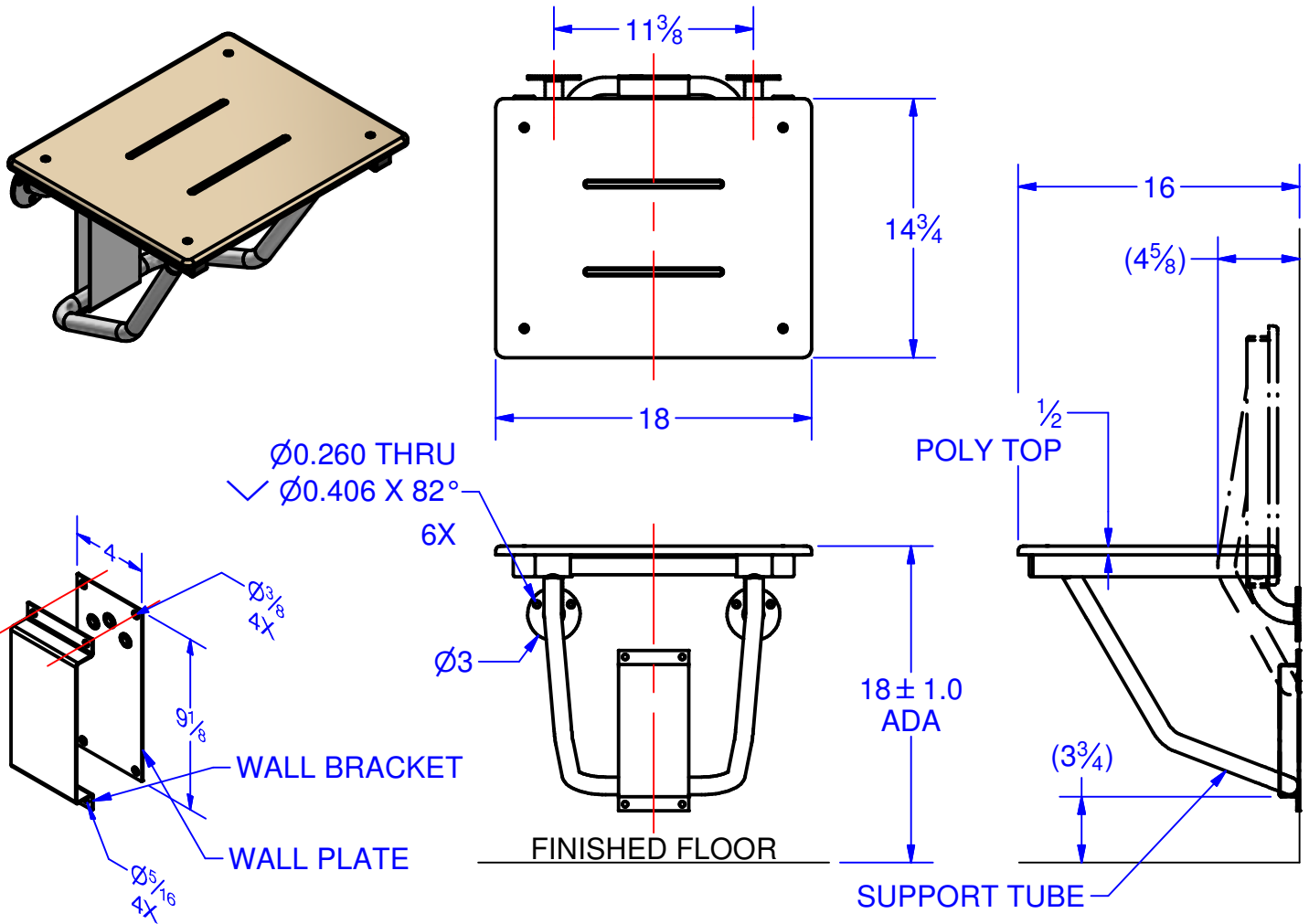




# TECHNICAL DATA SHEET

4/8/2019

S-6215-SS



## CONSTRUCTION:

SQ. TUBING -  $1\frac{1}{4} \times 1\frac{1}{4} \times 0.065$  STAINLESS STEEL, ROUND TUBING -  $\varnothing 1" \times 0.049$  STAINLESS STEEL, 7 GAUGE WALL FLANGE, WALL BRACKET AND WALL PLATE 14 GAUGE STAINLESS STEEL.

ALL STAINLESS - #4 SATIN FINISH,  $\frac{1}{2}$ " THICK POLY TOP SECURED WITH (4) 10-24 OVAL HEAD MACHINE SCREWS.

## INSTALLATION:

WITH THE TOP OF THE SEAT 18" ABOVE THE FLOOR CHECK THAT THE SEAT IS LEVEL SIDE TO SIDE AND MOUNT THE WALL FLANGES.

KEEPING THE SEAT LEVEL FRONT TO BACK MOUNT THE WALL PLATE AND BRACKET WITH THE SUPPORT TUBE SUPPORTING THE SEAT IN THE DOWN POSITION, BOTTOMED ON THE WALL BRACKET. CAUTION - THE SEAT IS ONLY AS STRONG AS THE ANCHORING DEVICES AND THE WALL TO WHICH IT IS MOUNTED.

## OPERATION:

FOLD (LIFT) THE SEAT INTO THE UP POSITION UNTIL THE SUPPORT TUBE SNAPS INTO THE WALL PLATE DIMPLES. TO USE THE SEAT, FOLD (LOWER) THE SEAT DOWN UNTIL THE SUPPORT TUBE BOTTOMS ON THE WALL BRACKET.

## GUIDE SPECIFICATION:

BREY-KRAUSE SHOWER SEATS MEET OR EXCEED ADA LOAD REQUIREMENTS OF 250 LBS. WHEN PROPERLY INSTALLED.